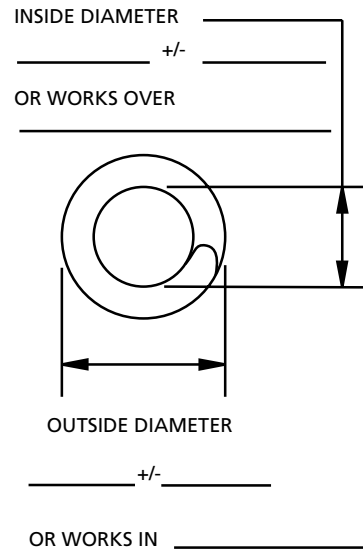
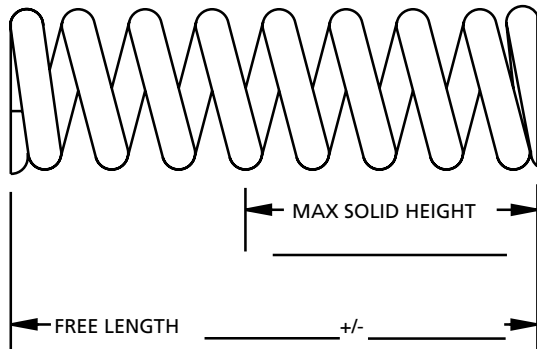
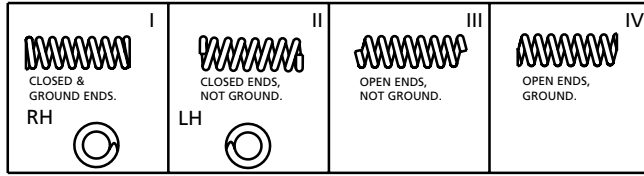


COMPRESSION SPRINGS SPECIFICATION FORM

Compression springs are generally specified to work in a bore or over a rod. They can be supplied with end coils closed and ground square for optimum alignment and reduced solid height. Springs can also be pre-stressed during manufacture to maintain length at elevated stress levels.



INDICATE UNITS OF MEASURE (IN & LB), (MM & N)

- | | |
|---|--|
| 1. MATERIAL _____ | 8. LOAD 2 _____ +/- _____ @ _____ |
| 2. WIRE DIA. _____ | 9. No. OF ACTIVE COILS _____ |
| 3. DIRECTION OF WIND <u>OPT</u> LH RH | 10. TOTAL No. OF COILS _____ |
| 4. STYLE OF END <u>I</u> <u>II</u> <u>III</u> <u>IV</u> | 11. FINISH _____ |
| 5. SQUARENESS _____ | 12. FREQUENCY OF COMPRESSION _____ CYCLES/SEC |
| 6. RATE _____ +/- _____ BETWEEN _____ & _____ | AND WORKING RANGE _____ LENGTH 1 TO _____ LENGTH 2 |
| 7. LOAD 1 _____ +/- _____ @ _____ | 13. OPERATING TEMP _____ °F/ °C |
| | 14. OTHER _____ |

QUANTITY TO QUOTE FOR _____

CUSTOMER NAME:	A/C No:	ENQUIRY TAKEN BY:
CUSTOMER CONTACT		DATE TO SUPPLIER:
TEL No:	EMAIL:	DATE PRICE RECEIVED: