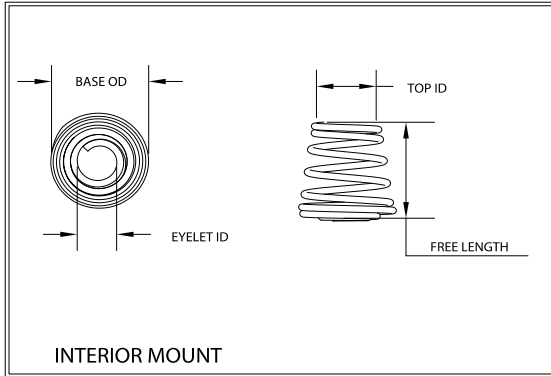


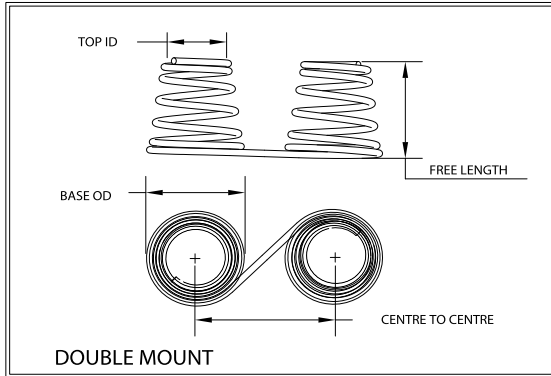
# BATTERY SPRINGS SPECIFICATION FORM

Battery springs can be configured to meet custom specifications and materials. When designing Battery springs, determine contact location based on the American National Standards Institute's and IEC standard dimensions. Refer to ANSI Standard C18 and International Electrotechnical Commission IEC86.

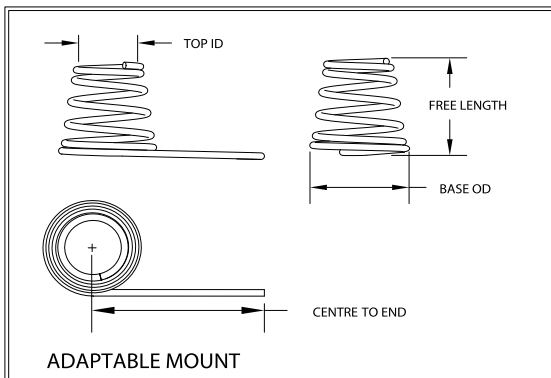
SPRING TYPE (I)



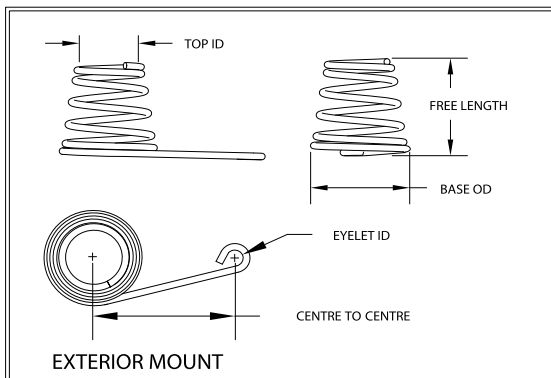
SPRING TYPE (II)



SPRING TYPE (III)



SPRING TYPE (IV)



INDICATE UNITS OF MEASURE (IN & LB), (MM & N)

1. SPRING TYPE  I  II  III  IV

2. BATTERY TYPE AA  AAA  C  D

3. MATERIAL \_\_\_\_\_

4. WIRE DIAMETER \_\_\_\_\_

5. BASE OD \_\_\_\_\_ +/- \_\_\_\_\_

6. TOP ID \_\_\_\_\_ +/- \_\_\_\_\_

7. FREE LENGTH \_\_\_\_\_ +/- \_\_\_\_\_

8. CENTRE TO CENTRE/END \_\_\_\_\_ +/- \_\_\_\_\_

9. EYELET ID \_\_\_\_\_ +/- \_\_\_\_\_

10. NUMBER OF ACTIVE COILS \_\_\_\_\_

11. TOTAL NUMBER OF COILS \_\_\_\_\_

12. APPROX LOAD \_\_\_\_\_ @ \_\_\_\_\_

13. FINISH \_\_\_\_\_

QUANTITY TO QUOTE FOR \_\_\_\_\_

CUSTOMER NAME:	A/C No:	ENQUIRY TAKEN BY:
		DATE TO SUPPLIER:
CUSTOMER CONTACT		DATE PRICE RECEIVED:
TEL No:	EMAIL:	