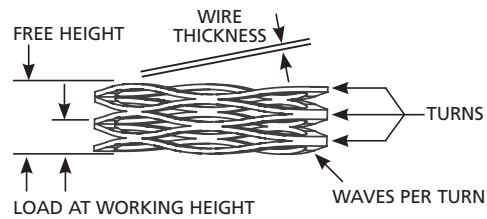
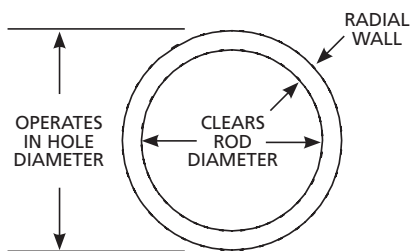
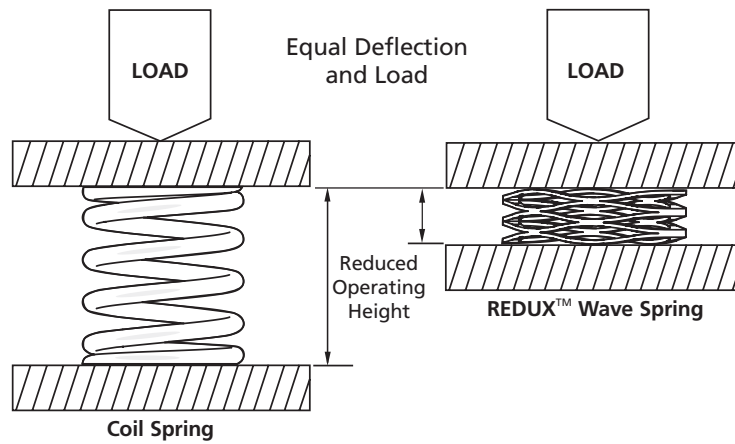


# WAVE SPRINGS SPECIFICATION FORM



INDICATE UNITS OF MEASURE (IN. & LB.), (MM & KG)

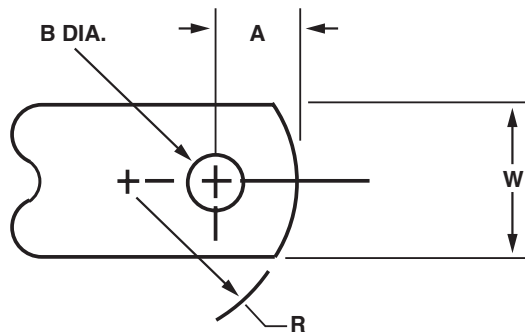
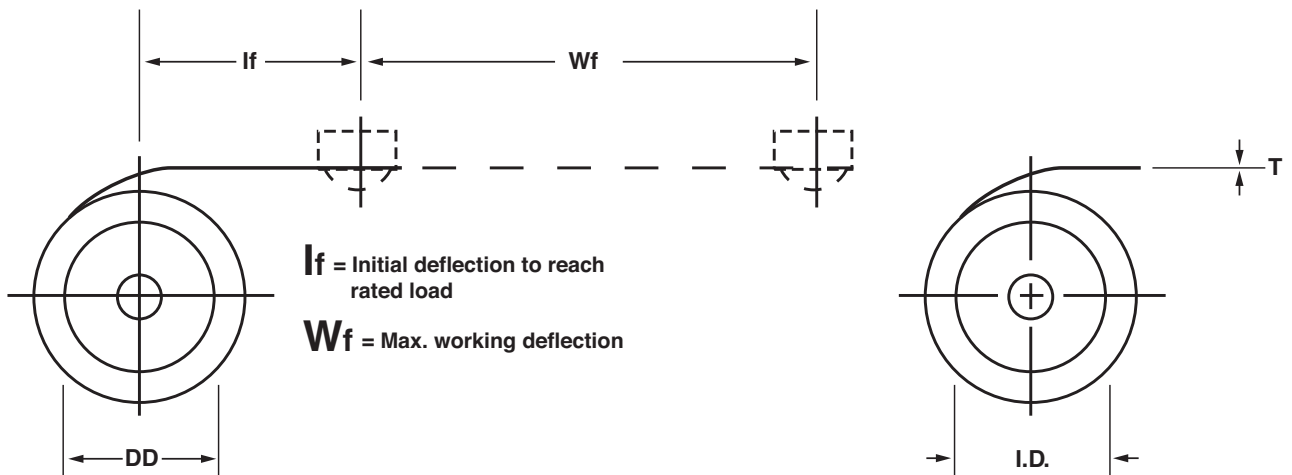
1. MATERIAL \_\_\_\_\_
2. WIRE THICKNESS \_\_\_\_\_
3. RADIAL WALL \_\_\_\_\_
4. DIRECTION OF WIND    OPT        LH        RH  
 OUTSIDE DIAMETER \_\_\_\_\_  
 INSIDE DIAMETER \_\_\_\_\_
5. FREE HEIGHT \_\_\_\_\_
6. RATE \_\_\_\_\_ +/- \_\_\_\_\_ BETWEEN \_\_\_\_\_ & \_\_\_\_\_
7. LOAD 1 \_\_\_\_\_ +/- \_\_\_\_\_ @ \_\_\_\_\_
8. LOAD 2 \_\_\_\_\_ +/- \_\_\_\_\_ @ \_\_\_\_\_

9. HOLE DIAMETER \_\_\_\_\_
10. ROD DIAMETER \_\_\_\_\_
11. NUMBER OF TURNS \_\_\_\_\_
12. WAVES PER TURN \_\_\_\_\_
13. SQUARENESS \_\_\_\_\_
14. FINISH \_\_\_\_\_
15. FREQUENCY OF COMPRESSION  
 \_\_\_\_\_ CYCLES/SEC. AND WORKING RANGE  
 \_\_\_\_\_ IN. TO \_\_\_\_\_ IN. OF LENGTH
16. OPERATING TEMP. \_\_\_\_\_ °F
17. OTHER: \_\_\_\_\_

QUANTITY TO QUOTE FOR \_\_\_\_\_

CUSTOMER NAME:	A/C No:	ENQUIRY TAKEN BY:
CUSTOMER CONTACT		DATE TO SUPPLIER:
TEL No:	EMAIL:	DATE PRICE RECEIVED:

# CONSTANT FORCE SPRINGS SPECIFICATION FORM



INDICATE UNITS OF MEASURE (IN. & LB.), (MM & KG)

1. MATERIAL \_\_\_\_\_
2. MATERIAL THICKNESS \_\_\_\_\_
3. MATERIAL WIDTH \_\_\_\_\_
4. LENGTH \_\_\_\_\_
5. INSIDE DIA \_\_\_\_\_
6. DRUM DIA \_\_\_\_\_
7. LOAD \_\_\_\_\_ +/- \_\_\_\_\_  
 @ WORKING DEFLECTION \_\_\_\_\_

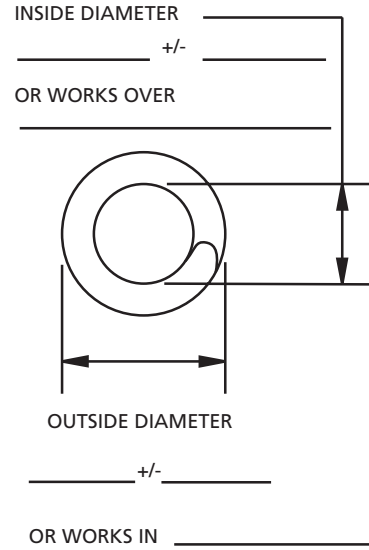
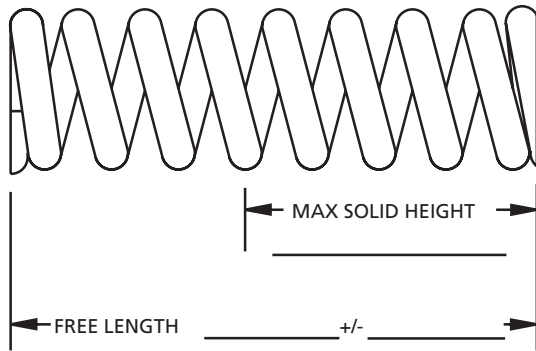
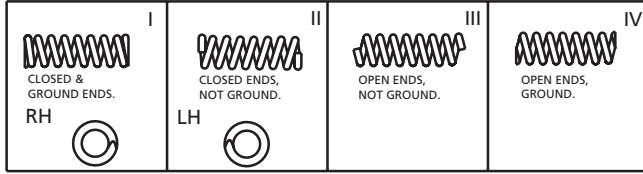
8. LIFE CYCLES \_\_\_\_\_
9. STANDARD END CONFIGURATION: (OTHER CONFIGURATIONS AVAILABLE UPON REQUEST)  
 DIMENSION 'A' \_\_\_\_\_  
 DIMENSION 'B' (DIA) \_\_\_\_\_  
 END RADIUS 'R' \_\_\_\_\_
10. FINISH \_\_\_\_\_
11. OPERATING TEMP. \_\_\_\_\_ °F
12. OTHER: \_\_\_\_\_

QUANTITY TO QUOTE FOR \_\_\_\_\_

CUSTOMER NAME:	A/C No:	ENQUIRY TAKEN BY:
		DATE TO SUPPLIER:
CUSTOMER CONTACT		DATE PRICE RECEIVED:
TEL No:	EMAIL:	

# COMPRESSION SPRINGS SPECIFICATION FORM

Compression springs are generally specified to work in a bore or over a rod. They can be supplied with end coils closed and ground square for optimum alignment and reduced solid height. Springs can also be pre-stressed during manufacture to maintain length at elevated stress levels.



INDICATE UNITS OF MEASURE (IN & LB), (MM & N)

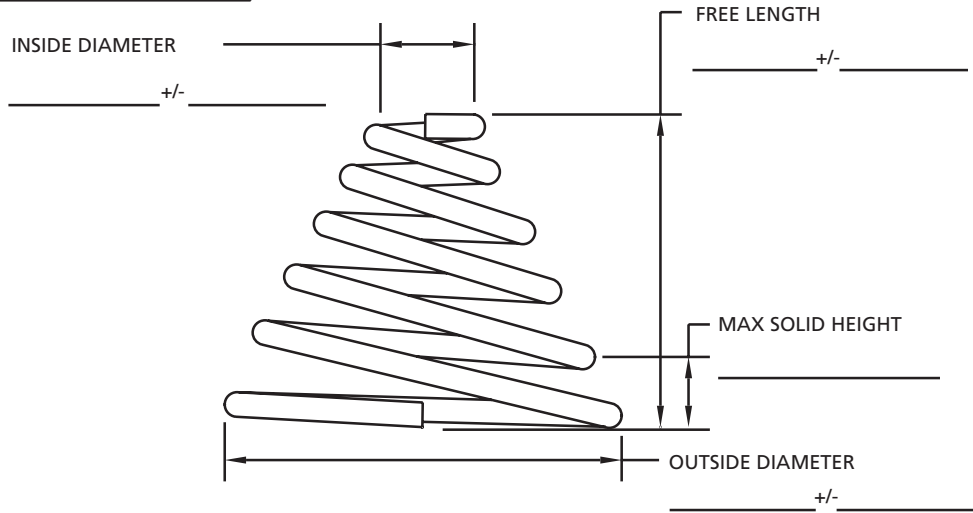
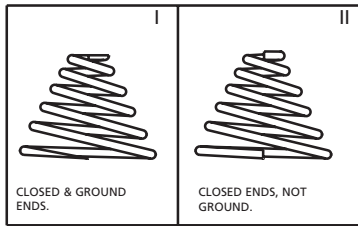
- 1. MATERIAL \_\_\_\_\_
- 2. WIRE DIA. \_\_\_\_\_
- 3. DIRECTION OF WIND    OPT   LH   RH
- 4. STYLE OF END    I   II   III   IV
- 5. SQUARENESS \_\_\_\_\_
- 6. RATE \_\_\_\_\_ +/- \_\_\_\_\_ BETWEEN \_\_\_\_\_ & \_\_\_\_\_
- 7. LOAD 1 \_\_\_\_\_ +/- \_\_\_\_\_ @ \_\_\_\_\_
- 8. LOAD 2 \_\_\_\_\_ +/- \_\_\_\_\_ @ \_\_\_\_\_
- 9. No. OF ACTIVE COILS \_\_\_\_\_
- 10. TOTAL No. OF COILS \_\_\_\_\_
- 11. FINISH \_\_\_\_\_
- 12. FREQUENCY OF COMPRESSION \_\_\_\_\_ CYCLES/SEC
- AND WORKING RANGE \_\_\_\_\_ IN. TO \_\_\_\_\_ IN. OF LENGTH
- 13. OPERATING TEMP \_\_\_\_\_ °c
- 14. OTHER \_\_\_\_\_

QUANTITY TO QUOTE FOR \_\_\_\_\_

CUSTOMER NAME:	A/C No:	ENQUIRY TAKEN BY:
CUSTOMER CONTACT		DATE TO SUPPLIER:
TEL No:	EMAIL:	DATE PRICE RECEIVED:

# CONICAL SPRINGS SPECIFICATION FORM

Conical springs are specified where the large end is designed to work in a bore and the small end fits over a rod. Springs of this type offer reduced solid height compared to straight compression springs, especially when they are capable of 'telescoping'.



INDICATE UNITS OF MEASURE (IN & LB), (MM & N)

1. MATERIAL \_\_\_\_\_

2. WIRE DIA. \_\_\_\_\_

3. DIRECTION OF WIND    OPT    LH    RH

4. STYLE OF END    I    II

5. RATE \_\_\_\_\_ +/- \_\_\_\_\_ BETWEEN \_\_\_\_\_ & \_\_\_\_\_

6. LOAD 1 \_\_\_\_\_ +/- \_\_\_\_\_ @ \_\_\_\_\_

7. LOAD 2 \_\_\_\_\_ +/- \_\_\_\_\_ @ \_\_\_\_\_

8. No. OF ACTIVE COILS \_\_\_\_\_

9. TOTAL No. OF COILS \_\_\_\_\_

10. FINISH \_\_\_\_\_

11. FREQUENCY OF COMPRESSION \_\_\_\_\_ CYCLES/SEC

AND WORKING RANGE \_\_\_\_\_ IN. TO \_\_\_\_\_ IN. OF LENGTH

12. OPERATING TEMP \_\_\_\_\_ °c




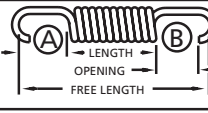
13. OTHER \_\_\_\_\_

QUANTITY TO QUOTE FOR \_\_\_\_\_

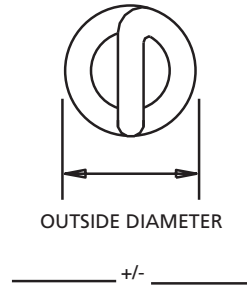
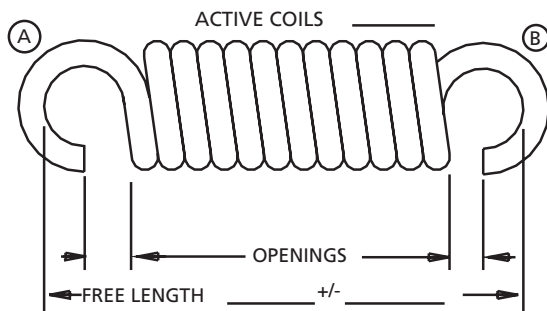
CUSTOMER NAME:	A/C No:	ENQUIRY TAKEN BY:
CUSTOMER CONTACT		DATE TO SUPPLIER:
TEL No:	EMAIL:	DATE PRICE RECEIVED:

# EXTENSION SPRINGS SPECIFICATION FORM

Extension springs feature a close wound body with loops on both ends to facilitate attachment. They are supplied wound with initial tension that can be varied within a limited range to achieve different loading characteristics. Other features such as loop diameter, opening and relative position can be modified to ensure a proper fit.

END STYLE	I MACHINE LOOPS	II CROSSOVER	III SIDE LOOPS	IV EXTENDED HOOKS
LOOP TYPE				
RECOMMENDED LOOP LENGTH.				
MIN	1/2 I.D.	I.D.	I.D.	1.1 x I.D.
MAX	1.1 x I.D.	I.D.	I.D.	AS REQUIRED

LOOP/HOOK (A) LENGTH \_\_\_\_\_ +/- \_\_\_\_\_ OPENING. \_\_\_\_\_ +/- \_\_\_\_\_  
 LOOP/HOOK (B) LENGTH \_\_\_\_\_ +/- \_\_\_\_\_ OPENING. \_\_\_\_\_ +/- \_\_\_\_\_



INDICATE UNITS OF MEASURE (IN & LB), (MM & N)

1. MATERIAL \_\_\_\_\_
2. WIRE DIA. \_\_\_\_\_
3. DIRECTION OF WIND       OPT    LH    RH
4. END STYLE    (A)    I    II    III    IV    (B)    I    II    III    IV    (SEE ABOVE)
5. INITIAL TENSION \_\_\_\_\_ +/- \_\_\_\_\_
6. RATE \_\_\_\_\_ +/- \_\_\_\_\_ BETWEEN \_\_\_\_\_ & \_\_\_\_\_
7. LOAD 1 \_\_\_\_\_ +/- \_\_\_\_\_ @ \_\_\_\_\_
8. LOAD 2 \_\_\_\_\_ +/- \_\_\_\_\_ @ \_\_\_\_\_

9. MAXIMUM EXTENDED LENGTH (INSIDE ENDS) WITHOUT SET \_\_\_\_\_

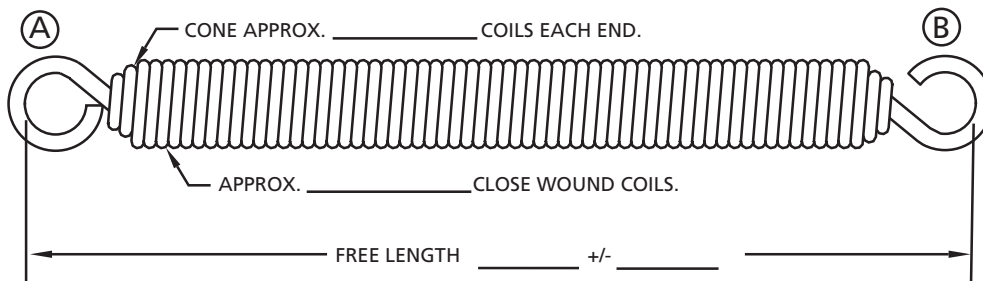
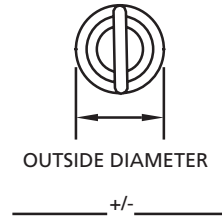
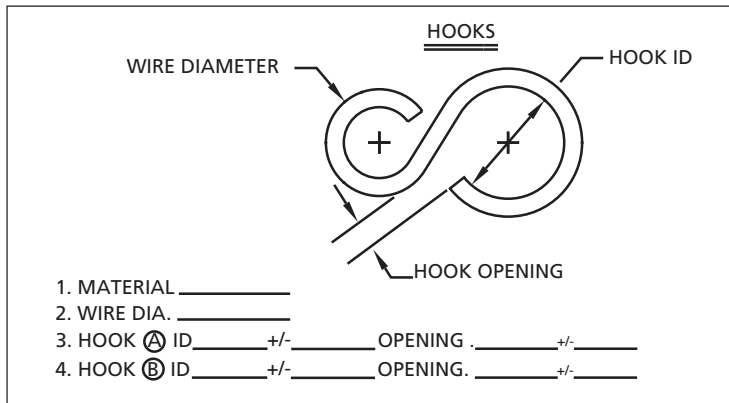
10. RELATIVE LOOP POSITION \_\_\_\_\_ RANDOM OR \_\_\_\_\_ ALIGNED  
 AT \_\_\_\_\_ DEGREES +/- \_\_\_\_\_ DEGREES
11. FINISH \_\_\_\_\_
12. FREQUENCY OF EXTENSION \_\_\_\_\_ CYCLES/SEC  
 AND WORKING RANGE \_\_\_\_\_ IN. TO \_\_\_\_\_ IN. OF LENGTH
13. OPERATING TEMP \_\_\_\_\_ °c
14. OTHER \_\_\_\_\_

QUANTITY TO QUOTE FOR \_\_\_\_\_

CUSTOMER NAME:	A/C No:	ENQUIRY TAKEN BY:
		DATE TO SUPPLIER:
		DATE PRICE RECEIVED:
TEL No:	EMAIL:	

# SWIVEL HOOK SPRINGS SPECIFICATION FORM

Swivel hook springs are best suited to heavy duty or high cycle applications. Unlike standard extension springs of similar dimension the hooks on these springs can be designed for optimum life cycle requirements and can also rotate to suit alignment conditions.



INDICATE UNITS OF MEASURE (IN & LB), (MM & N)

8. MAXIMUM EXTENDED LENGTH (INSIDE ENDS) WITHOUT SET \_\_\_\_\_

1. MATERIAL \_\_\_\_\_

2. WIRE DIA. \_\_\_\_\_

3. DIRECTION OF WIND OPT LH RH

4. INITIAL TENSION \_\_\_\_\_ +/- \_\_\_\_\_

5. RATE \_\_\_\_\_ +/- \_\_\_\_\_ BETWEEN \_\_\_\_\_ & \_\_\_\_\_

6. LOAD 1 \_\_\_\_\_ +/- \_\_\_\_\_ @ \_\_\_\_\_

7. LOAD 2 \_\_\_\_\_ +/- \_\_\_\_\_ @ \_\_\_\_\_

9. FINISH \_\_\_\_\_

10. FREQUENCY OF COMPRESSION \_\_\_\_\_ CYCLES/ SEC

AND WORKING RANGE \_\_\_\_\_ IN. TO \_\_\_\_\_ IN. OF LENGTH

11. OPERATING TEMP \_\_\_\_\_ °c

12. OTHER \_\_\_\_\_

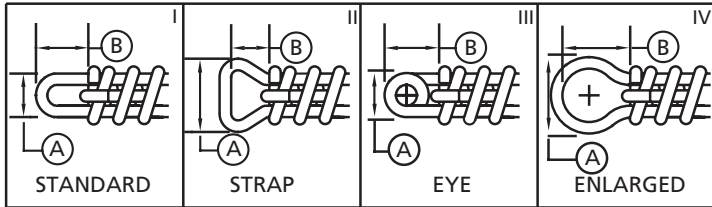
QUANTITY TO QUOTE FOR \_\_\_\_\_

CUSTOMER NAME:	A/C No:	ENQUIRY TAKEN BY:
		DATE TO SUPPLIER:
CUSTOMER CONTACT		DATE PRICE RECEIVED:
TEL No:	EMAIL:	

# DRAWBAR SPRINGS SPECIFICATION FORM

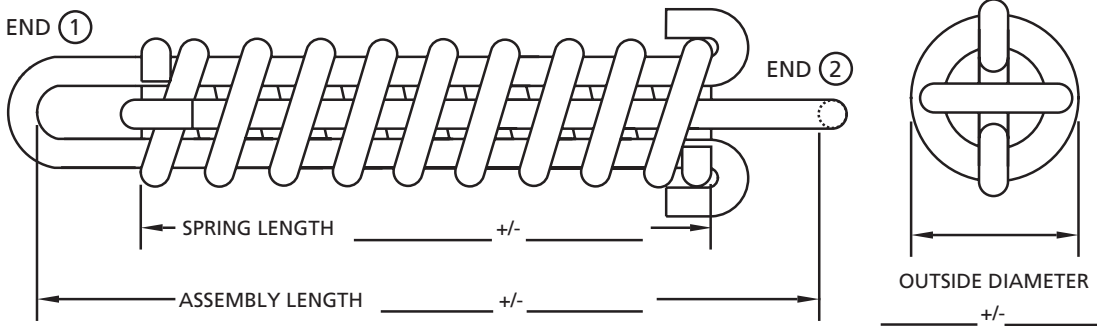
Drawbar springs are assemblies in which the spring is compressed as the drawbars extend under applied load. These springs are often capable of withstanding loads far in excess of standard compression spring closing forces and should be considered for use where a positive stop or overload protection is required.

**END STYLE**



END ① I, II, III, IV  
 DIM. (A) \_\_\_\_\_ +/- \_\_\_\_\_  
 DIM. (B) \_\_\_\_\_ +/- \_\_\_\_\_

END ② I, II, III, IV  
 DIM. (A) \_\_\_\_\_ +/- \_\_\_\_\_  
 DIM. (B) \_\_\_\_\_ +/- \_\_\_\_\_



INDICATE UNITS OF MEASURE (IN & LB), (MM & N)

- 1. (SPRING) MATERIAL \_\_\_\_\_ WIRE DIA. \_\_\_\_\_
- 2. (HOOK) MATERIAL \_\_\_\_\_ WIRE DIA. \_\_\_\_\_
- 3. RATE \_\_\_\_\_ +/- \_\_\_\_\_ BETWEEN \_\_\_\_\_ & \_\_\_\_\_
- 4. LOAD 1 \_\_\_\_\_ +/- \_\_\_\_\_ @ \_\_\_\_\_
- 5. LOAD 2 \_\_\_\_\_ +/- \_\_\_\_\_ @ \_\_\_\_\_
- 6. No. OF ACTIVE COILS \_\_\_\_\_

- 7. TOTAL No. OF COILS \_\_\_\_\_
- 8. FINISH \_\_\_\_\_
- 9. FREQUENCY OF COMPRESSION \_\_\_\_\_ CYCLES/SEC  
 AND WORKING RANGE \_\_\_\_\_ IN. TO \_\_\_\_\_ IN. OF LENGTH
- 10. OPERATING TEMP \_\_\_\_\_ °c
- 11. OTHER \_\_\_\_\_

QUANTITY TO QUOTE FOR \_\_\_\_\_

CUSTOMER NAME:	A/C No:	ENQUIRY TAKEN BY:
		DATE TO SUPPLIER:
CUSTOMER CONTACT		DATE PRICE RECEIVED:
TEL No:	EMAIL:	

# TORSION SPRINGS SPECIFICATION FORM

Torsion springs are designed to operate over a mandrel. They are wound left or right hand as required to withstand the loads applied. Spring legs are specified to ensure proper fit and function.

TABLE 1

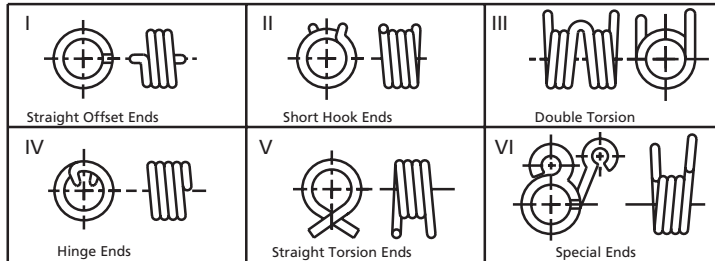
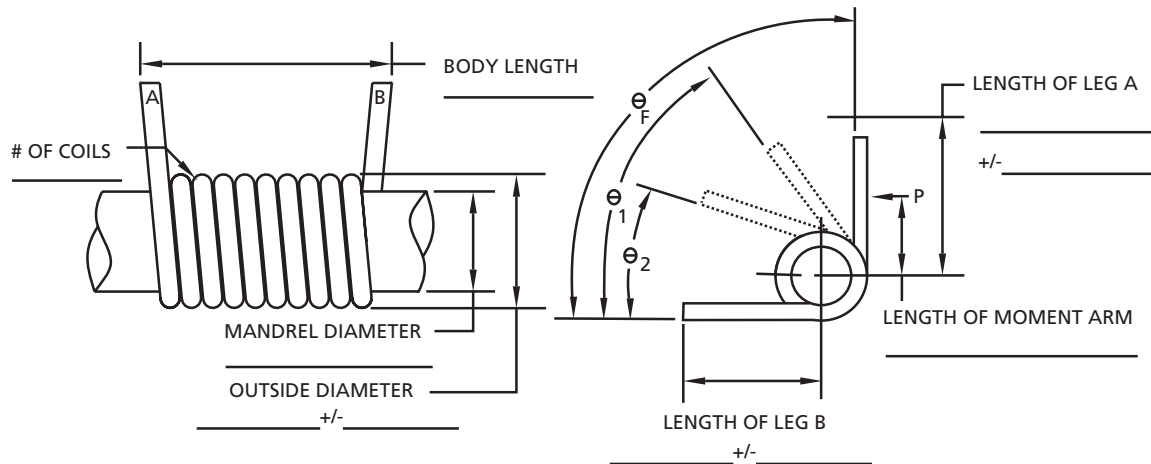
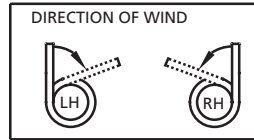


TABLE 2



INDICATE UNITS OF MEASURE (IN & LB), (MM & N)

- |  |   |
|--|---|
| 1. MATERIAL _____  | 8. TORQUE 2 _____ +/- _____ AT $\ominus$ 2 _____ °                  |
| 2. WIRE DIA. _____   | 9. LENGTH OF SPACE AVAILABLE _____                                  |
| 3. DIRECTION OF WIND <u> LH </u> <u> RH </u> (SEE TABLE 2)   | 10. MAXIMUM WOUND POSITION _____ ° FROM FREE POSITION               |
| 4. END STYLE (A) <u> I </u> <u> II </u> <u> III </u> <u> IV </u> <u> V </u> <u> VI </u> (SEE TABLE 1)    | 11. $\ominus$ F _____ FREE ANGLE OR POSITION                        |
| 5. STYLE OF END (B) <u> I </u> <u> II </u> <u> III </u> <u> IV </u> <u> V </u> <u> VI </u> (SEE TABLE 1) | 12. FINISH _____  |
| 6. RATE _____ +/- _____ BETWEEN _____ PER TURN (360°)  | 13. FREQUENCY OF ROTATION _____ CYCLES/SEC                          |
| 7. TORQUE 1 _____ +/- _____ AT $\ominus$ 1 _____ °   | AND WORKING RANGE $\ominus$ _____ ° TO $\ominus$ _____ ° DEFLECTION |
|  | 13. OPERATING TEMP _____ °c   |

QUANTITY TO QUOTE FOR \_\_\_\_\_

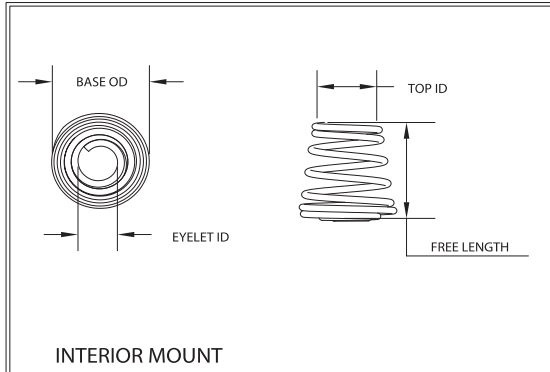
CUSTOMER NAME:	A/C No:	ENQUIRY TAKEN BY:
		DATE TO SUPPLIER:
CUSTOMER CONTACT		DATE PRICE RECEIVED:
TEL No:	EMAIL:	



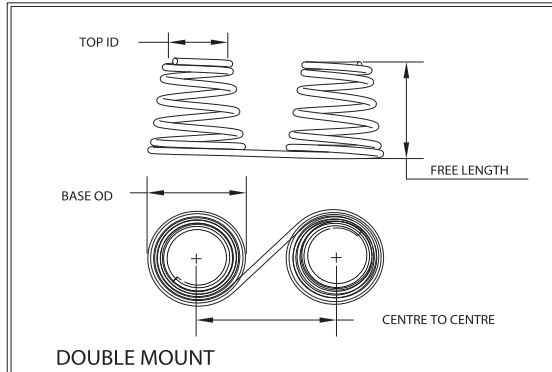
# BATTERY SPRINGS SPECIFICATION FORM

Battery springs can be configured to meet custom specifications and materials. When designing Battery springs, determine contact location based on the American National Standards Institute's and IEC standard dimensions. Refer to ANSI Standard C18 and International Electrotechnical Commission IEC86.

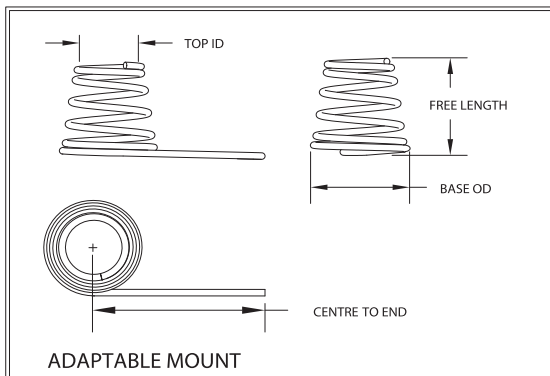
SPRING TYPE (I)



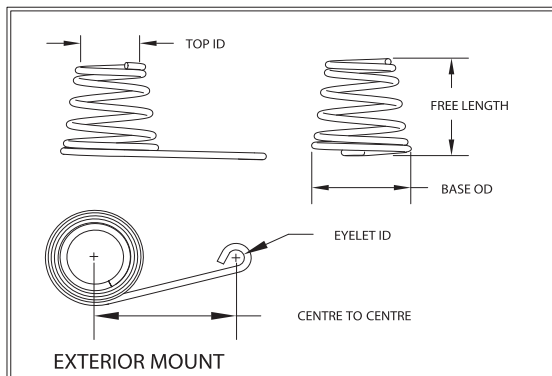
SPRING TYPE (II)



SPRING TYPE (III)



SPRING TYPE (IV)



INDICATE UNITS OF MEASURE (IN & LB), (MM & N)

1. SPRING TYPE  I  II  III  IV

2. BATTERY TYPE AA  AAA  C  D

3. MATERIAL \_\_\_\_\_

4. WIRE DIAMETER \_\_\_\_\_

5. BASE OD \_\_\_\_\_ +/- \_\_\_\_\_

6. TOP ID \_\_\_\_\_ +/- \_\_\_\_\_

7. FREE LENGTH \_\_\_\_\_ +/- \_\_\_\_\_

8. CENTRE TO CENTRE/END \_\_\_\_\_ +/- \_\_\_\_\_

9. EYELET ID \_\_\_\_\_ +/- \_\_\_\_\_

10. NUMBER OF ACTIVE COILS \_\_\_\_\_

11. TOTAL NUMBER OF COILS \_\_\_\_\_

12. APPROX LOAD \_\_\_\_\_ @ \_\_\_\_\_

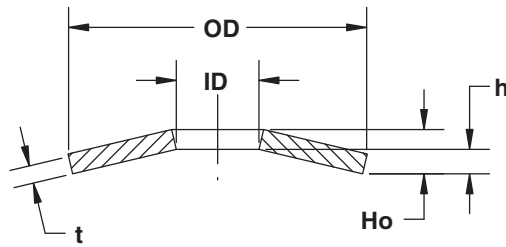
13. FINISH \_\_\_\_\_

QUANTITY TO QUOTE FOR \_\_\_\_\_

CUSTOMER NAME:	A/C No:	ENQUIRY TAKEN BY:
CUSTOMER CONTACT		DATE TO SUPPLIER:
TEL No:	EMAIL:	DATE PRICE RECEIVED:

# BELLEVILLE SPRINGS SPECIFICATION FORM

When a compression spring application requires a high load in a small space Belleville washers provide a solution. The conical form of these springs enables them to support high loads with relatively small deflections and solid heights compared with helical springs. Belleville springs are often used to solve vibration, thermal expansion, relaxation and bolt creep problems.



## ARRANGEMENT TYPE

A. Single Disk	B. Parallel	C. Series	D. Series-Parallel
Disks: _____	Disks: _____	Disks: _____	Disks in Series: _____ Disks in Parallel: _____
Load: _____	Load: _____	Load: _____	Load: _____
@ <input type="checkbox"/> Deflection <input type="checkbox"/> Flat	@ <input type="checkbox"/> Deflection <input type="checkbox"/> Flat	@ <input type="checkbox"/> Deflection <input type="checkbox"/> Flat	@ <input type="checkbox"/> Deflection <input type="checkbox"/> Flat

INDICATE UNITS OF MEASURE (IN & LB), (MM & N)

- MATERIAL \_\_\_\_\_
- THICKNESS (t) \_\_\_\_\_
- OD \_\_\_\_\_ +/- \_\_\_\_\_ OR WORKS IN \_\_\_\_\_
- ID \_\_\_\_\_ +/- \_\_\_\_\_ OR WORKS OVER \_\_\_\_\_
- HEIGHT (Ho) \_\_\_\_\_ +/- \_\_\_\_\_
- (h) \_\_\_\_\_

- (h/t) \_\_\_\_\_
- ARRANGEMENT TYPE A  B  C  D
- STACK HEIGHT \_\_\_\_\_
- OPERATING TEMP \_\_\_\_\_ °c
- FINISH \_\_\_\_\_
- OTHER \_\_\_\_\_

QUANTITY TO QUOTE FOR \_\_\_\_\_

CUSTOMER NAME:	A/C No:	ENQUIRY TAKEN BY:
CUSTOMER CONTACT		DATE TO SUPPLIER:
TEL No:	EMAIL:	DATE PRICE RECEIVED: